

A TRADITION OF QUALITY SINCE 1903

Hallowell®

SHELVING

RIVET:WELL™



ALL IN-STOCK
PRODUCTS

WWW.HALLOWELL-LIST.COM

MADE IN AMERICA

6

DISTRIBUTION
CENTERS
NATIONWIDE

RIVETWELL™

Boltless shelving is designed to maximize storage space and minimize installation set-up time.

All components are engineered to attach snugly to one another without the use of loose fasteners. This unique design has rivets which are factory attached to all left-to-right and front-to-back beams. The rivets align with keyhole slots in the vertical posts. Once tapped into place using a standard rubber mallet, the units are tightly assembled providing maximum strength.

Standard units consist of vertical angle posts at the corners, double rivet angle beams at the top and bottom perimeter and single rivet angle beams running left-to-right only at the intermediate levels. Shelves are of standard 5/8" particle board, EZ-Deck steel or wire decking and simply drop into place. Shelf strength can be increased by upgrading to heavy duty beams, adding single rivet beams running front-to-back at the intermediate levels, upgrading to double rivet beams at the full perimeter of the intermediate levels or upgrading all levels to our strongest double rivet channel beams. Optional center supports can be added using supplied hardware to increase decking capacity.

The versatility of our Rivetwell boltless shelving system allows you to mix and match components to meet your unique application. From standard storage applications, record storage to automotive tire racks, Rivetwell boltless shelving is your storage solution.



729
TAN (PT)

708
BLACK (ME)

- All units/components available in Tan
- Select units/components available in Black
- See charts for stock availability of Tan or Black



1 Angle Post (Standard Duty): 1-1/2" x 1-1/2" x 14 gauge cold rolled steel corner post uprights. Perfect for standard load situations.

Angle Post (Heavy Duty): Shall be 1-7/8" x 1-7/8" x 14 gauge cold rolled steel uprights. The choice when heavy duty shelving is required. Perfect for multilevel installations.

2 T-Post (Standard Duty): 3" x 1-7/8" x 14 gauge cold rolled steel intermediate uprights.

T-Post (Heavy Duty): 3-3/4" x 1-7/8" x 14 gauge cold rolled steel intermediate uprights.

3 Single Rivet Shelf Beam (Standard Duty): This 14 gauge low profile standard intermediate level shelf beam is perfect when maximum clear opening is required between shelf levels.

Single Rivet Shelf Beam (Heavy Duty): An 11 gauge heavy duty version of our low profile intermediate shelf beam allowing maximum clear opening between shelf levels.

4 Double Rivet Angle Beam (Standard Duty): This 16 gauge shelf beam is essential for stability of standard units; therefore, is used on all four sides at the top and bottom levels. Can also be used front and back or on all four sides of intermediate levels to increase unit stability and load capacity.

Double Rivet Angle Beam (Heavy Duty): An upgrade to our standard duty double rivet angle beams, our heavy duty double rivet angle beams provide additional unit rigidity and even higher shelf capacity.

5 Double Rivet Channel Beam: Maximized left-to-right shelf capacity is achieved using our 14 gauge double rivet channel beams in lieu of double rivet angle beams. These beams cannot be used at the bottom level.

6 Center Support: Used to provide additional shelf support front-to-back by bolting between double rivet beams at pre-punched locations. Ideal for wider spans.

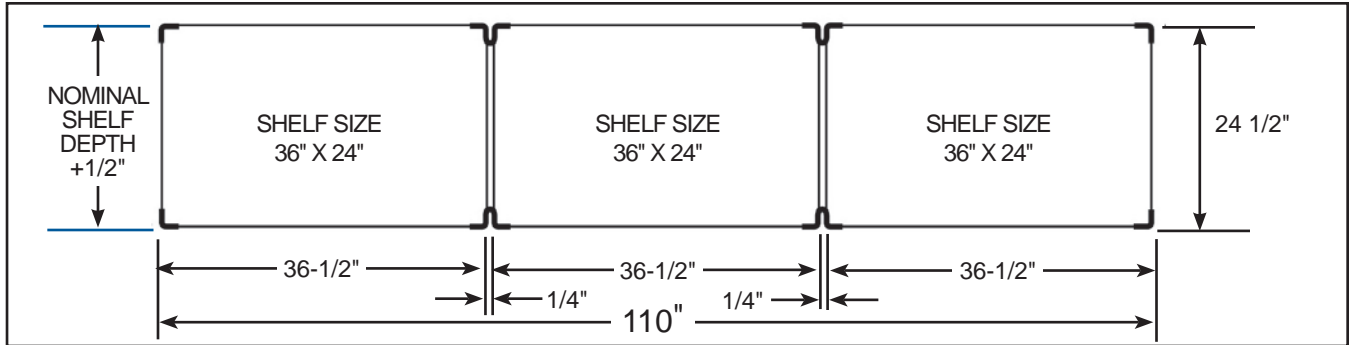
7 Double Rivet Z-Beam (Standard Duty): For 12" thru 60" beams. Used in place of double rivet angle beams to add 1" additional clearance between shelf levels. Allows particle board decking to sit flush with beam. Protects decking edges. When used at bottom level of single rivet units, shelf clearance is increased by 1" at lower level. Standard Z beams are 14 gauge.

8 Double Rivet Z-Beam (Heavy Duty): For 69" and 72" beams. Used in place of double rivet angle beams to add 1" additional clearance between shelf levels. Allows particle board decking to sit flush with beam. Protects decking edges. Heavy-Duty Z beams are 14 gauge

9 Center Support for Z-Beam: Used with Z-Beams for front to back decking support. Fabricated of 11 gauge cold rolled steel.

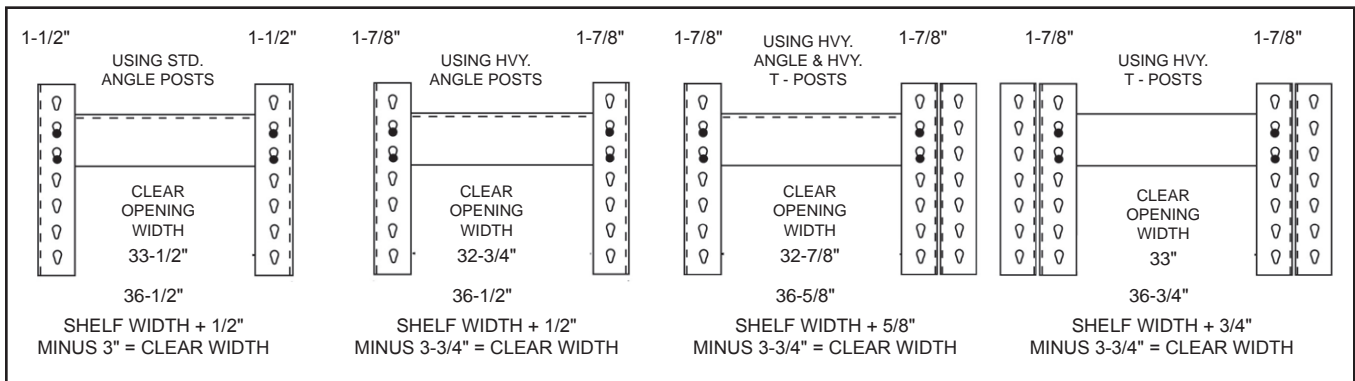
UNIT GROWTH CHART

When designing a shelving layout, unit growth must be considered. To determine the overall dimension of a continuous row of shelving employing T-Posts or Angle Posts with tie plates, refer to the table below.



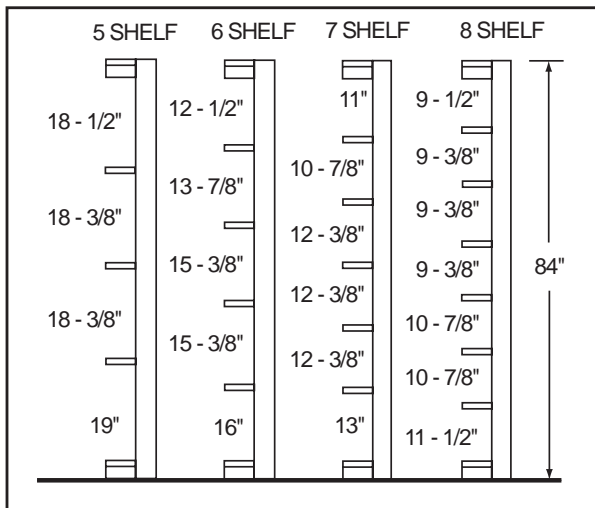
Unit Clear Width

Examples below are based on 36" wide shelf.

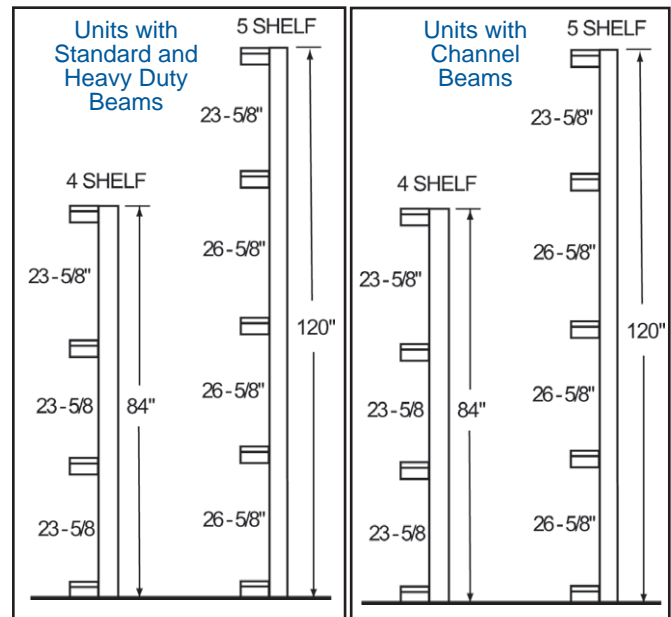


Vertical Shelf Clearance for Single Rivet Units

This chart depicts shelf clearances for typical rivetwell shelving units with 1-1/2" vertical shelf adjustment



Vertical Shelf Clearance for Double Rivet units



SINGLE RIVET UNITS - 84" HIGH

36" Wide Units					48" Wide Units			
(Decking not included)					(Decking not included)			
Levels	Depth	Shelf Capacity	Starter Model No.	Adder Model No.	Shelf Capacity	Starter Model No.	Adder Model No.	Color Selection
5 Shelf Units	12	350	SRS361284-5S	SRS361284-5A	250	SRS481284-5S	SRS481284-5A	PT
	18	350	SRS361884-5S	SRS361884-5A	250	SRS481884-5S	SRS481884-5A	PT
	24	350	SRS362484-5S	SRS362484-5A	250	SRS482484-5S	SRS482484-5A	PT
	30	350	SRS363084-5S	SRS363084-5A	250	SRS483084-5S	SRS483084-5A	PT
	36	350	SRS363684-5S	SRS363684-5A	250	SRS483684-5S	SRS483684-5A	PT
6 Shelf Units	12	350	SRS361284-6S	SRS361284-6A	250	SRS481284-6S	SRS481284-6A	PT
	18	350	SRS361884-6S	SRS361884-6A	250	SRS481884-6S	SRS481884-6A	PT
	24	350	SRS362484-6S	SRS362484-6A	250	SRS482484-6S	SRS482484-6A	PT
	30	350	SRS363084-6S	SRS363084-6A	250	SRS483084-6S	SRS483084-6A	PT
	36	350	SRS363684-6S	SRS363684-6A	250	SRS483684-6S	SRS483684-6A	PT
7 Shelf Unit	12	350	SRS361284-7S	SRS361284-7A	250	SRS481284-7S	SRS481284-7A	PT
	18	350	SRS361884-7S	SRS361884-7A	250	SRS481884-7S	SRS481884-7A	PT
	24	350	SRS362484-7S	SRS362484-7A	250	SRS482484-7S	SRS482484-7A	PT
	30	350	SRS363084-7S	SRS363084-7A	250	SRS483084-7S	SRS483084-7A	PT
	36	350	SRS363684-7S	SRS363684-7A	250	SRS483684-7S	SRS483684-7A	PT
8 Shelf Unit	12	350	SRS361284-8S	SRS361284-8A	250	SRS481284-8S	SRS481284-8A	PT
	18	350	SRS361884-8S	SRS361884-8A	250	SRS481884-8S	SRS481884-8A	PT
	24	350	SRS362484-8S	SRS362484-8A	250	SRS482484-8S	SRS482484-8A	PT
	30	350	SRS363084-8S	SRS363084-8A	250	SRS483084-8S	SRS483084-8A	PT
	36	350	SRS363684-8S	SRS363684-8A	250	SRS483684-8S	SRS483684-8A	PT

RIVETWELL™ SHELVING

Starter units consist of four standard angle posts, four left-to-right standard double rivet angle beams, four front-to-back standard double rivet angle beams, two left-to-right standard single rivet beams per intermediate level and two front-to-back standard single rivet beam at one intermediate level only (30" and 36" deep units include two front-to-back single rivet beams at each intermediate level).

Adder units consist of two standard T-Posts, four left-to-right standard double rivet angle beams, two front-to-back standard double rivet angle beam, two left-to-right standard single rivet beam per intermediate level and one front-to-back standard single rivet beam at one intermediate level only (30" and 36" deep units include one front-to-back single rivet beam at each intermediate level).

Be sure to order one each of Wire or Particle board decking per level.

**See page 15-16 for decking options (sold separately)
EZ-Deck steel decking can NOT be used on single rivet units.**



Standard 5-shelf single rivet starter unit
(order decking separately)

DOUBLE RIVET UNITS - 84" HIGH WITH 4 LEVELS

Width	Beam Type	Depth	Shelf Cap	Without Center Support (Decking Not Included)		Shelf Cap	With Center Support (Decking Not Included)		Color Selection
				Starter Model No.	Adder Model No.		Starter Model No.	Adder Model No.	
48"	Heavy-Duty	18	750	DRH481884-4S	DRH481884-4A	1400	DRHC481884-4S	DRHC481884-4A	PT, ME
		24	750	DRH482484-4S	DRH482484-4A	1400	DRHC482484-4S	DRHC482484-4A	PT, ME
	Angle	30	750	DRH483084-4S	DRH483084-4A	1310	DRHC483084-4S	DRHC483084-4A	PT, ME
		36	750	DRH483684-4S	DRH483684-4A	1220	DRHC483684-4S	DRHC483684-4A	PT, ME
		48	750	DRH484884-4S	DRH484884-4A	1125	DRHC484884-4S	DRHC484884-4A	PT, ME
60"	Heavy-Duty	18	600	DRH601884-4S	DRH601884-4A	1200	DRHC601884-4S	DRHC601884-4A	PT, ME
		24	600	DRH602484-4S	DRH602484-4A	1200	DRHC602484-4S	DRHC602484-4A	PT, ME
	Angle Beam	30	600	DRH603084-4S	DRH603084-4A	1200	DRHC603084-4S	DRHC603084-4A	PT, ME
		36	600	DRH603684-4S	DRH603684-4A	1200	DRHC603684-4S	DRHC603684-4A	PT, ME
		48	600	DRH604884-4S	DRH604884-4A	1200	DRHC604884-4S	DRHC604884-4A	PT, ME
60"	Channel	18	-	-	-	2000	DRCC601884-4S	DRCC601884-4A	PT
		24	-	-	-	2000	DRCC602484-4S	DRCC602484-4A	PT
	Beam	30	-	-	-	2000	DRCC603084-4S	DRCC603084-4A	PT
		36	-	-	-	2000	DRCC603684-4S	DRCC603684-4A	PT
		48	-	-	-	2000	DRCC604884-4S	DRCC604884-4A	PT
72"	Heavy-Duty	18	500	DRH721884-4S	DRH721884-4A	1000	DRHC721884-4S	DRHC721884-4A	PT, ME
		24	500	DRH722484-4S	DRH722484-4A	1000	DRHC722484-4S	DRHC722484-4A	PT, ME
	Angle Beam	30	500	DRH723084-4S	DRH723084-4A	1000	DRHC723084-4S	DRHC723084-4A	PT, ME
		36	500	DRH723684-4S	DRH723684-4A	1000	DRHC723684-4S	DRHC723684-4A	PT, ME
		48	500	DRH724884-4S	DRH724884-4A	1000	DRHC724884-4S	DRHC724884-4A	PT, ME
72"	Channel	18	-	-	-	1850	DRCC721884-4S	DRCC721884-4A	PT
		24	-	-	-	1850	DRCC722484-4S	DRCC722484-4A	PT
	Beam	30	-	-	-	1850	DRCC723084-4S	DRCC723084-4A	PT
		36	-	-	-	1850	DRCC723684-4S	DRCC723684-4A	PT
		48	-	-	-	1850	DRCC724884-4S	DRCC724884-4A	PT
96"	Heavy-Duty	18	-	-	-	620	DRHC961884-4S	DRHC961884-4A	PT, ME
		24	-	-	-	620	DRHC962484-4S	DRHC962484-4A	PT, ME
	Angle Beam	30	-	-	-	620	DRHC963084-4S	DRHC963084-4A	PT, ME
		36	-	-	-	620	DRHC963684-4S	DRHC963684-4A	PT, ME
		48	-	-	-	620	DRHC964884-4S	DRHC964884-4A	PT, ME
96"	Channel	18	-	-	-	1400	DRCC961884-4S	DRCC961884-4A	PT
		24	-	-	-	1400	DRCC962484-4S	DRCC962484-4A	PT
	Beam	30	-	-	-	1400	DRCC963084-4S	DRCC963084-4A	PT
		36	-	-	-	1400	DRCC963684-4S	DRCC963684-4A	PT
		48	-	-	-	1400	DRCC964884-4S	DRCC964884-4A	PT

DOUBLE RIVET UNITS - 120" HIGH WITH 5 LEVELS

72"	Heavy-Duty	30	500	DRH7230120-5S	DRH7230120-5A	1000	DRHC7230120-5S	DRHC7230120-5A	PT
		36	500	DRH7236120-5S	DRH7236120-5A	1000	DRHC7236120-5S	DRHC7236120-5A	PT
	48	500	DRH7248120-5S	DRH7248120-5A	1000	DRHC7248120-5S	DRHC7248120-5A	PT	
72"	Channel	30	-	-	-	1490	DRCC7230120-5S	DRCC7230120-5A	PT
		36	-	-	-	1490	DRCC7236120-5S	DRCC7236120-5A	PT
	48	-	-	-	1490	DRCC7248120-5S	DRCC7248120-5A	PT	
96"	Heavy-Duty	30	-	-	-	620	DRHC9630120-5S	DRHC9630120-5A	PT
		36	-	-	-	620	DRHC9636120-5S	DRHC9636120-5A	PT
	48	-	-	-	620	DRHC9648120-5S	DRHC9648120-5A	PT	
96"	Channel	30	-	-	-	1400	DRCC9630120-5S	DRCC9630120-5A	PT
		36	-	-	-	1400	DRCC9636120-5S	DRCC9636120-5A	PT
	48	-	-	-	1400	DRCC9648120-5S	DRCC9648120-5A	PT	

Starter units consist of four standard angle posts, two left-to-right standard double rivet angle/channel beams per level and two front-to-back standard double rivet angle beams per level.

Adder units consist of two standard T-Posts, two left-to-right standard double rivet angle/channel beams per level and two front-to-back standard double rivet angle beams per level. Channel beam units are provided with left-to-right double rivet angle beams at bottom level.

See pages 15-16 for decking options (sold separately)

RECORD STORAGE UNITS							
Width	Depth	Height	Levels	*No. of boxes	Starter Model No.	Adder Model No.	Color Selection
42"	15"	60"	3	18	RS421560-3S	RS421560-3A	PT
	30"	60"	3	36	RS423060-3S	RS423060-3A	PT
69"	15"	60"	3	30	RS691560-3S	RS691560-3A	PT
	30"	60"	3	60	RS693060-3S	RS693060-3A	PT
42"	15"	84"	4	24	RS421584-4S	RS421584-4A	PT
	30"	84"	4	48	RS423084-4S	RS423084-4A	PT
69"	15"	84"	4	40	RS691584-4S	RS691584-4A	PT
	30"	84"	4	80	RS693084-4S	RS693084-4A	PT
42"	15"	108"	5	30	RS4215108-5S	RS4215108-5A	PT
	30"	108"	5	60	RS4230108-5S	RS4230108-5A	PT
69"	15"	108"	5	50	RS6915108-5S	RS6915108-5A	PT
	30"	108"	5	100	RS6930108-5S	RS6930108-5A	PT

Be sure to order one each of particle board or EZ-Deck steel decking per level.

See pages 15-16 for decking options (sold separately)

*Box count based on standard record storage box dimensions: 12 x 10 x 15
Record storage boxes are not included

ACCESS UNIT FROM
FRONT OR BACK!



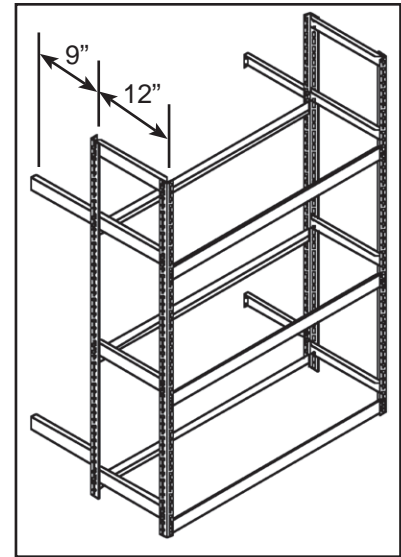
Record Storage Unit
with 4 levels
(80 Box unit)

RIVETWELL™ SHELVING

TIRE STORAGE RACKS

Width	Depth	Height	Levels	*Tire Capacity	Starter Model No.	Adder Model No.
SINGLE ROW						
60"	21"	84"	3	24	TSS602184-3S	TSS602184-3A
	21"	120"	4	32	TSS6021120-4S	TSS6021120-4A
	21"	144"	5	40	TSS6021144-5S	TSS6021144-5A
	21"	192"	6	48	TSS6021192-6S**	TSS6021192-6A**
DOUBLE ROW						
60"	42"	84"	3	48	TSD602184-3S	TSD602184-3A
	42"	120"	4	64	TSD6021120-4S	TSD6021120-4A
	42"	144"	5	80	TSD6021144-5S	TSD6021144-5A
	42"	192"	6	96	TSD6021192-6S**	TSD6021192-6A**

(*)Based on average passenger tire (**) Supplied with heavy-duty posts



Tire Storage Rack

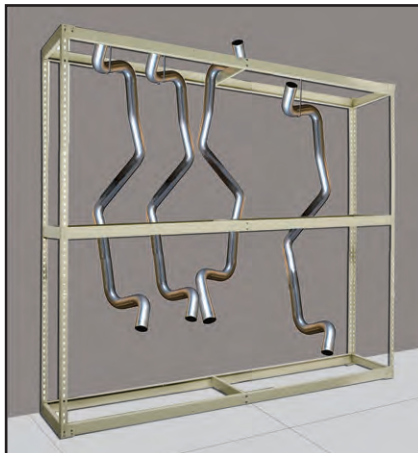
MUFFLER STORAGE UNITS

Width	Depth	Height	Levels	Starter Model No.	Adder Model No.
48"	36"	84"	5	MS483684-5S	MS483684-5A
96"	36"	84"	5	MS963684-5S	MS963684-5A

Be sure to order one each of particle board decking per level.

HANGING TAILPIPE RACK

Width	Depth	Height	Starter Model No.
48"	18"	120"	HTP4818120
96"	18"	120"	HTP9618120



Hanging Tailpipe Rack



Tire Rack



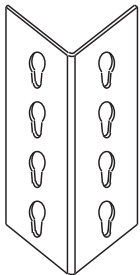
Muffler Storage Rack



729
TAN (PT)

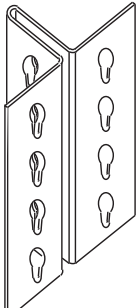
RIVETWELL SHELVING COMPONENTS

PART DESCRIPTION	HEIGHT	STANDARD PART NO.	HEAVY-DUTY PART NO.
ANGLE POST		1-1/2" x 1-1/2" (14 ga)	1-7/8" x 1-7/8" (14 ga)
Punched for self adjustment on 1-1/2" centers	3'	APS03	-
	4'	APS04	-
	5'	• APS05	-
	6'	• APS06	APH06
	7'	•• APS07	APH07
	8'	• APS08	APH08
	9'	• APS09	APH09
	10'	• APS10	APH10
	12'	APS12	APH12
	14'	APS14	APH14
	16'	APS16	APH16



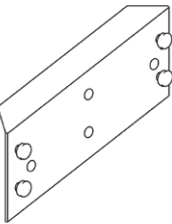
Note: For requirements above 10'-0" high, multiple posts can be spliced using PS05 post splice without compromising capacity.

T-POST	HEIGHT	STANDARD PART NO.	HEAVY-DUTY PART NO.
		3" x 1-7/8" (14 ga)	3-3/4" x 1-7/8" (14 ga)
Punched for self adjustment on 1-1/2" centers	3'	TPS03	TPH03
	4'	TPS04	TPH04
	5'	• TPS05	TPH05
	6'	• TPS06	TPH06
	7'	•• TPS07	TPH07
	8'	• TPS08	TPH08
	9'	• TPS09	TPH09
	10'	• TPS10	TPH10
	12'	TPS12	TPH12
	14'	TPS14	TPH14
	16'	TPS16	TPH16



Note: For requirements above 10'-0" high, multiple posts can be spliced using PS05 post splice without compromising capacity.

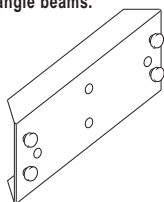
PART DESCRIPTION	LENGTH	STANDARD PART NO.	HEAVY-DUTY PART NO.
DOUBLE RIVET ANGLE BEAM		2-3/4" x 1" (16 ga)	2-3/4" x 1" (14 ga)
For left to right and front to back shelf support.	12"	• ABS12	-
	15"	• ABS15	-
	18"	•• ABS18	-
	24"	•• ABS24	-
	30"	•• ABS30	-
	32"	ABS32	-
	36"	•• ABS36	-
	42"	• ABS42	-
	48"	-	•• ABH48
	60"	-	•• ABH60
	69"	-	• ABH69
	72"	-	•• ABH72
	84"	-	ABH84
96"	-	•• ABH96	



Denotes Stock Component

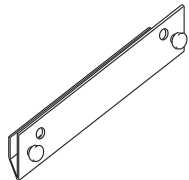
- Denotes stock item in 729 Tan (PT)
- Denotes stock item in 729 Tan (PT) and 708 Black (ME)

PART DESCRIPTION	LENGTH	STANDARD PART NO.	HEAVY-DUTY PART NO.
DOUBLE RIVET CHANNEL BEAM			1" x 2-3/4" (14 ga)
For left to right shelf support. Provides for a higher capacity than heavy-duty rivet angle beams.	48"	-	• CBH48
	60"	-	• CBH60
	69"	-	• CBH69
	72"	-	• CBH72
	84"	-	• CBH84
	96"	-	• CBH96

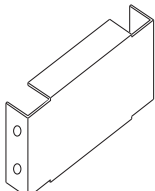


Note: When a bottom shelf is required to be at the bottom level, use a Heavy-Duty Double Rivet Angle Beam.

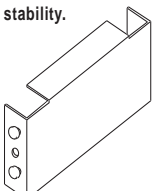
SINGLE RIVET BEAM	LENGTH	STANDARD PART NO.	HEAVY-DUTY PART NO.
		1" x 2 1/32" (14 ga)	1" - 1/4" x 7/8" (11 ga)
For use as left to right and front to back support. See Beam Load Table for capacity.	12"	• SRBS12	-
	15"	SRBS15	-
	18"	• SRBS18	-
	24"	• SRBS24	-
	30"	• SRBS30	-
	36"	• SRBS36	SRBH36
	42"	• SRBS42	SRBH42
	48"	• SRBS48	SRBH48



CENTER SUPPORT	LENGTH	STANDARD PART NO.	HEAVY-DUTY PART NO.
		2-3/4" x 1" x 1" (16 ga)	
Bolts to double rivet angle or channel beams to add support to decking and stabilize beams. Supplied with nuts and bolts for fast assembly. Use 1 per pair of beams up to 84", 2 per pair of 96" beams.	12"	• CS12	-
	15"	• CS15	-
	18"	•• CS18	-
	24"	•• CS24	-
	30"	•• CS30	-
	32"	CS32	-
	36"	•• CS36	-
	42"	CS42	-
	48"	•• CS48	-



DOUBLE ROW AND TOP TIE	LENGTH	STANDARD PART NO.	HEAVY-DUTY PART NO.
		2-1/2" x 1/4" (14 ga)	
Use to space back-to-back units and to top-tie rows across aisle for added stability.	9-1/4"	-	DRTT09
	12-1/4"	-	DRTT12
	15-1/4"	-	DRTT15
	18-1/4"	-	• DRTT18
	24-1/4"	-	DRTT24
	36-1/4"	-	DRTT36
	42-1/4"	-	DRTT42
	48-1/4"	-	DRTT48




729 TAN (PT)

708 BLACK (ME)

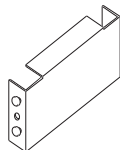
PART DESCRIPTION	LENGTH	STANDARD PART NO.	HEAVY-DUTY PART NO.
WALL TIE		2-1/2" x 1-1/4" (14 ga)	

Used to secure units to wall and provide space between wall and unit (Hardware to attach to wall not included).

9-1/4"

• **WT09**

-



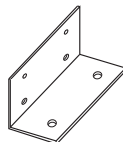
PART DESCRIPTION	LENGTH	STANDARD PART NO.	HEAVY-DUTY PART NO.
FOOT PLATE		1-1/2" x 1-1/2" x 3" (14 ga)	

For use in anchoring angle and tee posts to floor. (Hardware included for attaching posts-Hardware to anchor to the floor not included.) anchor holes are 3/8" diameter.

3"

• **FPR100**

-



PART DESCRIPTION	LENGTH	STANDARD PART NO.	HEAVY-DUTY PART NO.
POST SPLICE		1-3/8" x 1-3/8" x 5" (11 ga)	

Used to extend post, attaches to outside of post. Order one per Angle Post, two per T-Post.

5"

• **PS05**

-



PART DESCRIPTION	LENGTH	STANDARD PART NO.	HEAVY-DUTY PART NO.
TIE PLATE		3" x 3" (14 ga)	

Used for structural integrity of T-Post and to join Angle Post units side by side to insure proper row alignment.

NA

• **TP1**

-



PART DESCRIPTION	LENGTH	STANDARD PART NO.	HEAVY-DUTY PART NO.
TIRE RACK BEAM		3" x 3" (14 ga)	

For left to right shelf support of tires. 9 degrees of angle on the supporting edge.

48"

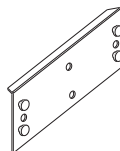
TRB48

-

60"

• **TRB60**

-



PART DESCRIPTION	LENGTH	STANDARD PART NO.	HEAVY-DUTY PART NO.
HANGER BAR		1-1/4" x 1-1/4" x 1-1/4" (14 ga)	

For hanging items between double rivet beams. One or more may be used per level.

36"

HB 36

-

42"

HB 42

-

48"

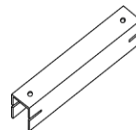
HB 48

-

60"

HB 60

-



PART DESCRIPTION	LENGTH	STANDARD PART NO.	HEAVY-DUTY PART NO.
DECK OVER GRATING SUPPORT		3-12" x 1-13/16" x 2-3/16" (11 ga)	

Provides secure support for grating when decking over entire installation.

36"

-

DOGS36

48"

-

DOGS48

60"

-

DOGS60

69"

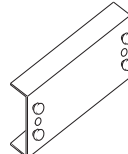
-

DOGS69

72"

-

DOGS72



PART DESCRIPTION	LENGTH	STANDARD PART NO.	HEAVY-DUTY PART NO.
DOWN AISLE GRATING SUPPORT		3-12" X 1-13/16" X 1-15/16" (11 ga)	

Attaches to unit front between rows to provide support for grating on 2-level rivetwell installations. For maximum aisle width of 48". Use a minimum of 3 screws per support. 9 degree angle on top edge.

36"

-

DAGS36

48"

-

DAGS48

60"

-

DAGS60

69"

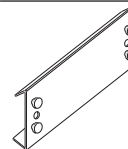
-

DAGS69

72"

-

DAGS72



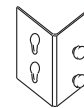
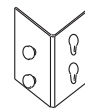
PART DESCRIPTION	LENGTH	LEFT PART NO.	RIGHT PART NO.
BEAM CLEAT		1-1/2" x 1"-1/2" x 3" (14 ga)	

For hanging items between double rivet beams. One or more may be used per level.

3"

BC-L

BC-R



PART DESCRIPTION	LENGTH	LEFT PART NO.	RIGHT PART NO.
SLOTTED ANGLE CLEAT		1-1/2" x 1"-1/2" x 3" (14 ga)	

For use where slotted angle pieces must be joined, such as special grating supports and top ties.

3"

SAC-L

SAC-R

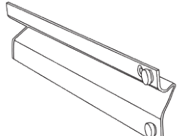


729
TAN (PT)

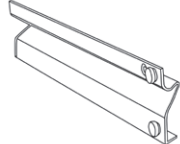
708
BLACK (ME)

Denotes Stock Component
• Denotes stock item in 729 Tan (PT)


PART DESCRIPTION	LENGTH	STANDARD PART NO.	HEAVY-DUTY PART NO.
DOUBLE RIVET Z-BEAM (STANDARD) 2-1/8" x 7/8" (14 ga)			
For front to back and left to right. allows particle board decking to sit flush with top of beam.	12"	ZBS12	-
	15"	ZBS15	-
	18"	ZBS18	-
	24"	ZBS24	-
	30"	ZBS30	-
	36"	ZBS36	-
	42"	ZBS42	-
	48"	ZBS48	-
	60"	ZBS60	-



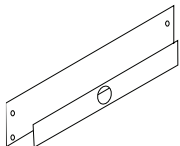
PART DESCRIPTION	LENGTH	STANDARD PART NO.	HEAVY-DUTY PART NO.
DOUBLE RIVET Z-BEAM (HEAVY-DUTY) 2-1/8" x 7/8" (14 ga)			
For front to back and left to right. Allows particle board decking to sit flush with top of beam.	48"	-	ZBH48
	60"	-	ZBH60
	69"	-	ZBH69
	72"	-	ZBH72




PART DESCRIPTION	LENGTH	STANDARD PART NO.	HEAVY-DUTY PART NO.
CENTER SUPPORT FOR Z-BEAMS 1-3/16" X 1-1/8" X 7/8" (11 GA)			
Use with Z-beams for additional decking support front to back.	24"	ZCS24	-
	30"	ZCS30	-
	36"	ZCS36	-
	42"	ZCS42	-
	48"	ZCS48	-



PART DESCRIPTION	LENGTH	STANDARD PART NO.	HEAVY-DUTY PART NO.
COAT ROD SUPPORT BEAM 2-3/4" X 1" (14 ga)			
For supporting Rivetwell coat rods	18"	ABH18CR	-
	24"	ABH24CR	-
	30"	ABH30CR	-
	36"	ABH36CR	-
	48"	ABH48CR	-

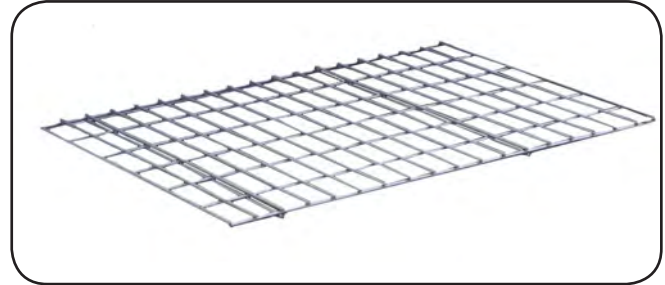


PART DESCRIPTION	LENGTH	STANDARD PART NO.	HEAVY-DUTY PART NO.
RIVETWELL COAT ROD 1' O.D. SCH40 Steel Pipe			
For use with coat rods and support beams	36"	RCR36	-
	48"	RCR48	-
	60"	RCR60	-
	72"	RCR72	-



RED COLOR Denotes Stock Component

Rivetwell Flat Wire Decking



4 gauge wire in 2" x 4" pattern.

Part Number	Size (inches) W x D	Wire Supports	*Capacity (Lbs)
All decks are Powder Coated Gray.			
HWD3618	36" x 18"	4	725
HWD3624	36" x 24"	4	605
HWD3630	36" x 30"	4	485
HWD3636	36" x 36"	4	455
HWD3648	36" x 48"	4	300
HWD4818	48" x 18"	5	725
HWD4824	48" x 24"	5	605
HWD4830	48" x 30"	5	485
HWD4836	48" x 36"	5	455
HWD4848	48" x 48"	5	300
HWD6018	60" x 18"	6	725
HWD6024	60" x 24"	6	605
HWD6030	60" x 30"	6	485
HWD6036	60" x 36"	6	455
HWD6048	60" x 48"	6	300

All sizes measure 1/8" short of nominal dimension in both directions.

*Capacities are based on evenly distributed loads and Include a 1.65 safety factor.

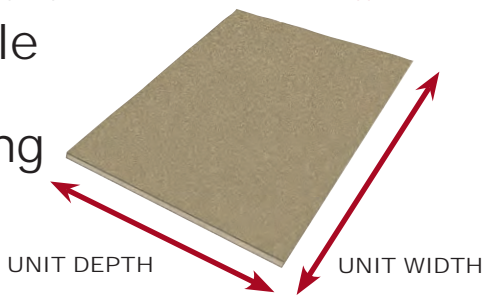
RIVETWELL™ SHELVING COMPONENTS

Recommended safe use load table for 5/8" particle board and EZ-Deck steel decking allowable uniformly distributed static live loads for deck material

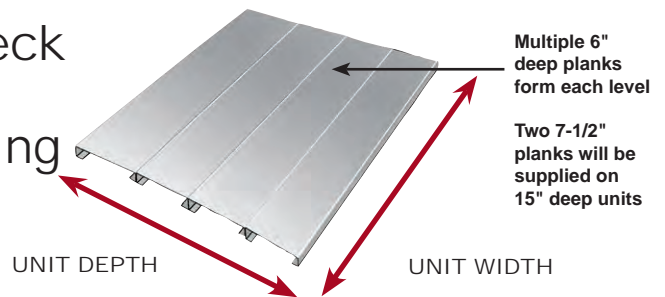
Size (inches) W x D	Particle Board Decking	EZ-Deck Steel Decking	2 Sides Supported		4 Sides Supported		4 Sides + Center Supported		4 Sides + 2 Center Supported	
			LOAD (lbs.)	DEFL (ins)	LOAD (Lbs.)	DEFL (ins)	LOAD (Lbs.)	DEFL (ins)	LOAD (Lbs.)	DEFL (ins)
36x12	HPB3612	HEZD3612	425	0.06	675	0.08				
36x18	HPB3618	HEZD3618	400	0.17	550	0.18				
36x24	HPB3624	HEZD3624	305	0.30	435	0.23				
36x30	HPB3630	HEZD3630	250	0.47	385	0.32				
36x36	HPB3636	HEZD3636	150	0.50	180	0.39				
42x12	HPB4212	HEZD4212	490	0.06	755	0.08				
42x18	HPB4218	HEZD4218	460	0.17	600	0.18				
42x24	HPB4224	HEZD4224	355	0.30	500	0.29				
42x30	HPB4230	HEZD4230	300	0.47	410	0.36				
42x36	HPB4236	HEZD4236	175	0.50	385	0.45				
48x12	HPB4812	HEZD4812	560	0.06	850	0.08	1160	0.08		
48x18	HPB4818	HEZD4818	525	0.17	635	0.18	770	0.10		
48x24	HPB4824	HEZD4824	405	0.30	530	0.30	700	0.11		
48x30	HPB4830	HEZD4830	325	0.47	440	0.40	705	0.12		
48x36	HPB4836	HEZD4836	200	0.50	400	0.50	755	0.12		
48x48	HPB4848	HEZD4848	85	0.50	275	0.50	920	0.13		
60x18	HPB6018	HEZD6018	660	0.17	735	0.18	835	0.12	1140	0.08
60x24	HPB6024	HEZD6024	505	0.30	615	0.32	700	0.15	1180	0.10
60x30	HPB6030	HEZD6030	410	0.47	520	0.46	650	0.16	1324	0.11
60x36	HPB6036	HEZD6036	250	0.50	380	0.50	665	0.17	1520	0.12
60x48	HPB6048	HEZD6048	105	0.50	230	0.50	750	0.18	2000	0.14
69x15	HPB6915	HEZD6915	900	0.11	950	0.12	1150	0.12	1250	0.11
69x30	HPB6930	HEZD6930	470	0.50	600	0.50	670	0.20	1220	0.13
72x18	HPB7218	HEZD7218	800	0.17	850	0.17	1000	0.15	1200	0.10
72x24	HPB7224	HEZD7224	605	0.30	680	0.31	770	0.19	1135	0.12
72x30	HPB7230	HEZD7230	500	0.47	610	0.50	680	0.21	1200	0.14
72x36	HPB7236	HEZD7236	300	0.50	390	0.50	655	0.23	1325	0.16
72x48	HPB7248	HEZD7248	130	0.50	215	0.50	685	0.25	1670	0.18
84x24	HPB8424	HEZD8424	705	0.30	765	0.31	870	0.23	1150	0.15
84x30	HPB8430	HEZD8430	570	0.47	650	0.49	735	0.27	1150	0.18
84x36	HPB8436	HEZD8436	355	0.50	415	0.50	670	0.29	1210	0.20
84x48	HPB8448	HEZD8448	150	0.50	215	0.50	660	0.33	1460	0.23
96x18	HPB9618	HEZD9618	1050	0.17	1115	0.17	1300	0.18	1500	0.15
96x24	HPB9624	HEZD9624	810	0.30	850	0.31	1000	0.26	1200	0.18
96x30	HPB9630	HEZD9630	655	0.47	710	0.49	800	0.32	1180	0.20
96x36	HPB9636	HEZD9636	405	0.50	450	0.50	710	0.36	1150	0.24
96x48	HPB9648	HEZD9648	170	0.50	200	0.50	650	0.41	1325	0.28

NOTE: The above load chart refers to the deck materials only. Particle board decking is 5/8" industrial grade type 1-M-2. EZ-Deck steel decking is 22 gauge galvanized sheet steel fabricated in 6" deep channel planks (models listed above include multiple planks to meet unit depth). 15" deep Ez-Deck will be shipped in two (2) 7 1/2" deep planks. The allowable shelf load capacity may be reduced due to allowable post and / or beam capacities. Specific deflection limits may also reduce the shelf load capacity. NOTE: EZ-Deck must be center supported on units 48" wide and wider.

Particle Board Decking



EZ-Deck Steel Decking



NOTE: EZ-Deck steel decking is for use with double rivet units **ONLY**.

POST CAPACITY CHART

Recommended safe loads (per post) for use only where seismic forces are not a factor

BEAM SPACING	STD. ANGLE POST CAPACITY	HEAVY ANGLE POST CAPACITY
12"	1530	1735
18"	1520	1720
24"	1510	1695
30"	1490	1680
36"	1350	1660
42"	990	1560
48"	755	1195

BEAM SPACING	STANDARD/HEAVY-DUTY T-POST CAPACITY
12"	5045
18"	4965
24"	4850
30"	4705
36"	4525
42"	4315
48"	4075

Calculate needed post capacity by multiplying the number of shelves by the per shelf load then divide by 4 (Angle posts), or by 2 (T-Posts) then refer to the chart below for the approximate post needed to meet your job requirement.

Post capacities are based on the maximum vertical distance between left-to-right beams or front-to-back beams, whichever is greater. In single rivet beam units, the vertical distance between front-to-back beams will usually govern. Tie plates must be spaced no more than 48 inches apart to insure structural stability when joining angle post together. All units require tie plates at top and bottom.

The above capacities are not intended for use when designing multi-level systems or for specific requirements where seismic forces are a factor. For specific multi-level or seismic requirements contact your Hallowell Sales Manager.

BEAM LOAD TABLE (CAPACITY PER PAIR)

Recommended safe use allowable uniformly distributed hand loaded static beam loads

	WITHOUT CENTER. SUPTS.(***)			WITH CENTER. SUPTS.(*)	
	LENGTH (IN.)	CAPACITY (LBS.)	DEFLECTION (IN.)	CAPACITY (LBS.)	DEFLECTION (IN.)
SINGLE RIVET SHELF BEAMS					
STANDARD BEAM	36	350	0.25	-	-
	42	300	0.30	-	-
	48	250	0.34	-	-
HEAVY DUTY BEAM	36	600	0.25	-	-
	42	550	0.30	-	-
	48	500	0.34	-	-
DOUBLE RIVET ANGLE BEAMS					
STANDARD BEAM	36	1000	***	-	-
	42	780	***	-	-
HEAVY DUTY BEAM	48	750	***	1400**	0.16
	60	600	***	1200	0.25
	69	525	***	1050	0.33
	72	500	***	1000	0.36
	84	-	-	840	0.49
	96	-	-	620	0.53
DOUBLE RIVET CHANNEL BEAMS					
	60	-	-	2240	0.23
	72	-	-	1850	0.33
	84	-	-	600	0.45
	96	-	-	1400	0.59
DOUBLE RIVET Z-BEAMS					
	48	1250	-	1750	-
	60	750	-	1000	-
	69	600	-	1000	-
	72	600	-	1000	-

DESIGN CRITERIA:

All units must have a full perimeter of double rivet beams at the top and bottom to insure a stable and rigid unit. All units using single rivet beams 10'0" to 18'0" in height, require an additional double rivet perimeter beam level located approximately in the middle of the unit.

All single rivet beam units must have one (1) intermediate pair of front to back beams for 7'0" and 8'0" high units and (2) intermediate pair of front to back beams for 9'0" high units. For 10'0" to 18'0" high units refer to the above paragraph.

DO NOT exceed 48" between front to back beams. Single Rivet and Double Rivet Front-to-Back Beams may be common when using T-Posts on units up to 8' high.

All intermediate single rivet levels over 24 inches deep must also have single rivet beams supporting the particle board front to back.

All double rivet beam units must have front to back beams at each shelf level.

(*) One (1) support per pair of beams except 96" which have two (2) supports

(**) Refer to shelf load capacities for beam capacities when depth is 30", 36", and 48"

(***) Beam rotation is less than 5 degrees

2 YEAR WARRANTY

5 DAY SHIPPING ON ALL IN-STOCK PRODUCTS